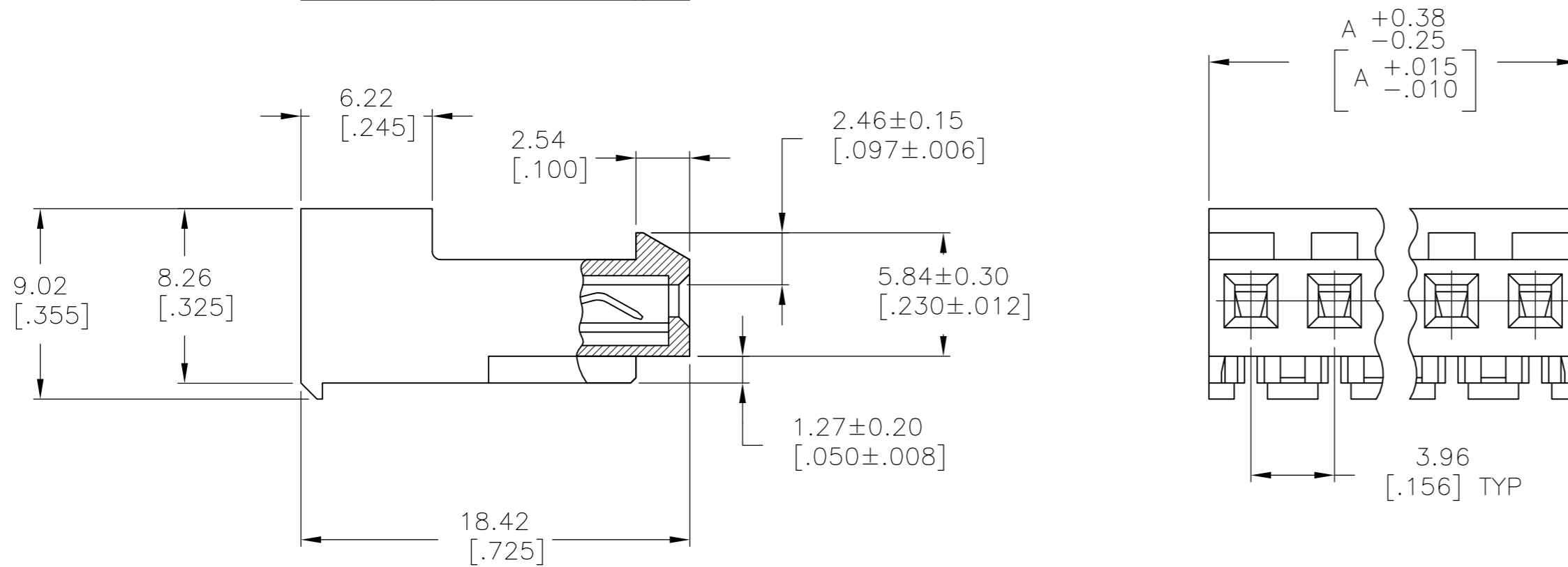
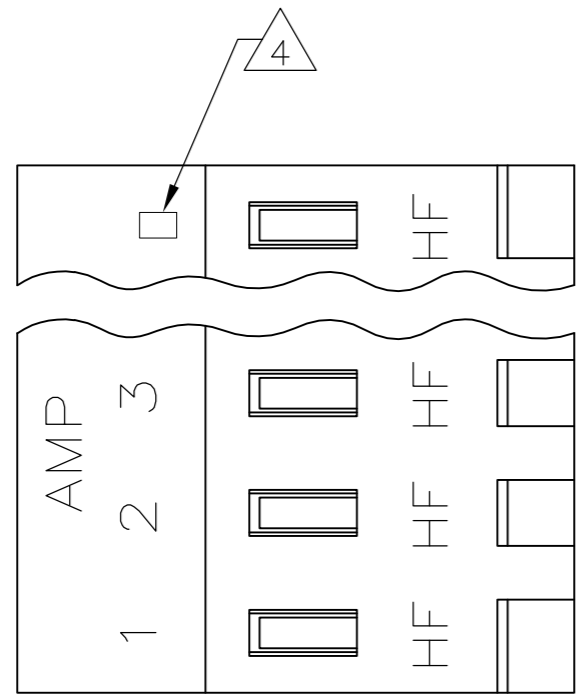


THIS DRAWING IS UNPUBLISHED. RELEASED FOR PUBLICATION
 © COPYRIGHT BY TYCO ELECTRONICS CORPORATION. ALL RIGHTS RESERVED.

LOC	DIST	REVISIONS			
P	LTR	DESCRIPTION	DATE	DWN	APVD
CM	00	C	ECO-07-012896	25JUN07	KW DB



1 MATERIAL: CONNECTOR - NYLON UL94V-2 (RED).
 CONTACTS - 0.30[.012] THICK COPPER ALLOY BRIGHT TIN-LEAD
 0.00203[.000080] MIN THICK FOR -2 THRU -28
 - 0.30[.012] THICK COPPER ALLOY MATTE WHISKER
 MITIGATED TIN 0.00203[.000080] MIN THICKNESS
 OVER NICKEL UNDERPLATE FOR -32 THRU -58.

2. CONTACTS ACCEPT 22 AWG WIRE WITH 2.41[.095] MAX INSULATION DIAMETER.
 3. CONTACTS MUST ACCEPT 1.14±0.03[.045±.001] SQUARE POST AND REMAIN LOCKED IN POSITION.

4 IDENTIFICATION NUMBER FOR LAST CIRCUIT MAY NOT APPEAR ON ALL ASSEMBLIES.

5. DIMENSIONS IN BRACKETS ARE IN INCHES.

6. HOUSING FEATURES ARE: CLOSED END WITH LOCKING RAMP.(HIGH FORCE CONTACT)

FINISH	DIM A	NO. OF CIRCUITS	PART NO.
TIN	23.77 [.936]	6	3-643193-6
TIN	19.81 [.780]	5	3-643193-5
TIN	15.85 [.624]	4	3-643193-4
TIN	11.89 [.468]	3	3-643193-3
TIN	7.92 [.312]	2	3-643193-2
TIN-LEAD	23.77 [.936]	6	643193-6
TIN-LEAD	19.81 [.780]	5	643193-5
TIN-LEAD	15.85 [.624]	4	643193-4
TIN-LEAD	11.89 [.468]	3	643193-3
TIN-LEAD	7.92 [.312]	2	643193-2

THIS DRAWING IS A CONTROLLED DOCUMENT.		DWN 12FEB91	Tyco Electronics Corporation Harrisburg, PA 17105-3608	
DIMENSIONS: mm [INCHES]		CHK 12FEB91	NAME	
TOLERANCES UNLESS OTHERWISE SPECIFIED:		APVD 20FEB91	MTA 156 CONNECTOR ASSEMBLY, 22 AWG, HIGH FORCE,SPECIAL	
0 PLC ± -		PRODUCT SPEC	SIZE	CAGE CODE
1 PLC ± -		108-1051	A2	00779
2 PLC ± -		APPLICATION SPEC	DRAWING NO	RESTRICTED TO
3 PLC ± 0.13[.005]		114-1020	C-643193	-
4 PLC ± -		WEIGHT	SCALE	SHEET
ANGLES ± -		-	4:1	1 OF 1
FINISH		CUSTOMER DRAWING	REV	C
1				

